



# Goff's G2 Harsh Guard High Performance Door Spec Sheet

Goff's Distributor:

Customer:

Date:

Name:

Name:

Phone:

Phone:

Email:

Email:

- VFD & PLC with auxiliary power enclosed in Nema 4X control panel
- Direct drive IP-65 rated operator
- Door speed - 28" per second, up and down (slower down speed available)
- 110v or 230v 1/phase; 230v, 480v or 575v 3/phase available
- Duty cycle - 120 cycles per hour
- Safety - through beam photo eye
- Full width window, roll cover and close timer are standard
- Stainless steel end brackets, shaft, sealed bearings and track transitions
- Hand crank override in case of power failure



Door opening dimensions: \_\_\_ feet - \_\_\_ inches (wide) x \_\_\_ feet - \_\_\_ inches (high)

Qty: \_\_\_ \*If multiple quantities, please use a different order form if specs are different.

Door panel material: \_\_\_ 18oz vinyl \_\_\_ Mesh \_\_\_ Bird mesh \_\_\_ 32oz vinyl (*limited door size*)

Vinyl color: \_\_\_ Blue \_\_\_ White \_\_\_ Red \_\_\_ Gray \_\_\_ Beige \_\_\_ Green \_\_\_ Yellow \_\_\_ Black \_\_\_ Orange

Mesh color: \_\_\_ Blue \_\_\_ Red \_\_\_ Gray \_\_\_ Beige \_\_\_ Green \_\_\_ Yellow \_\_\_ Black

Full width vision window: \_\_\_ One \_\_\_ Two \_\_\_ None

Door mount: \_\_\_ Face mount \_\_\_ Projection mount (*field survey required*)

## OPTIONS & ACCESSORIES (enter quantity required)

Additional Nema-4 3-button controller

RF kit (1 receiver & 1 single button transmitter)

Additional single button transmitter

3-button transmitter

Motion detector

Motion detector remote programmer

Motion and presence sensor

Additional through beam safety photo eye

Pull cord - hardwired

Pull cord - wireless

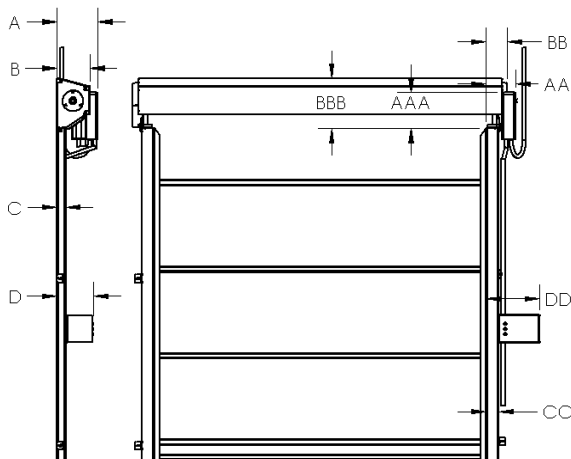
Heavy chain

Crating

Nema-4 mushroom push button

Custom logo (Up to 24" x 24") on door panel

Other: \_\_\_\_\_



Notes:

DIMENSION	FROM WALL	WIDTH OF OPENING	ABOVE OPENING
MOTOR	A-12"	AA- 9" DRIVE SIDE	AAA- 10-1/4"
HEADER BOX	B-9-3/4"	BB- 7" EACH SIDE	BBB- 14-1/4"
TRACK	C-2-3/4"	CC- 3-3/4" EACH SIDE	N/A
CONTROLLER	D-8-1/2"	DD- 17"	N/A